

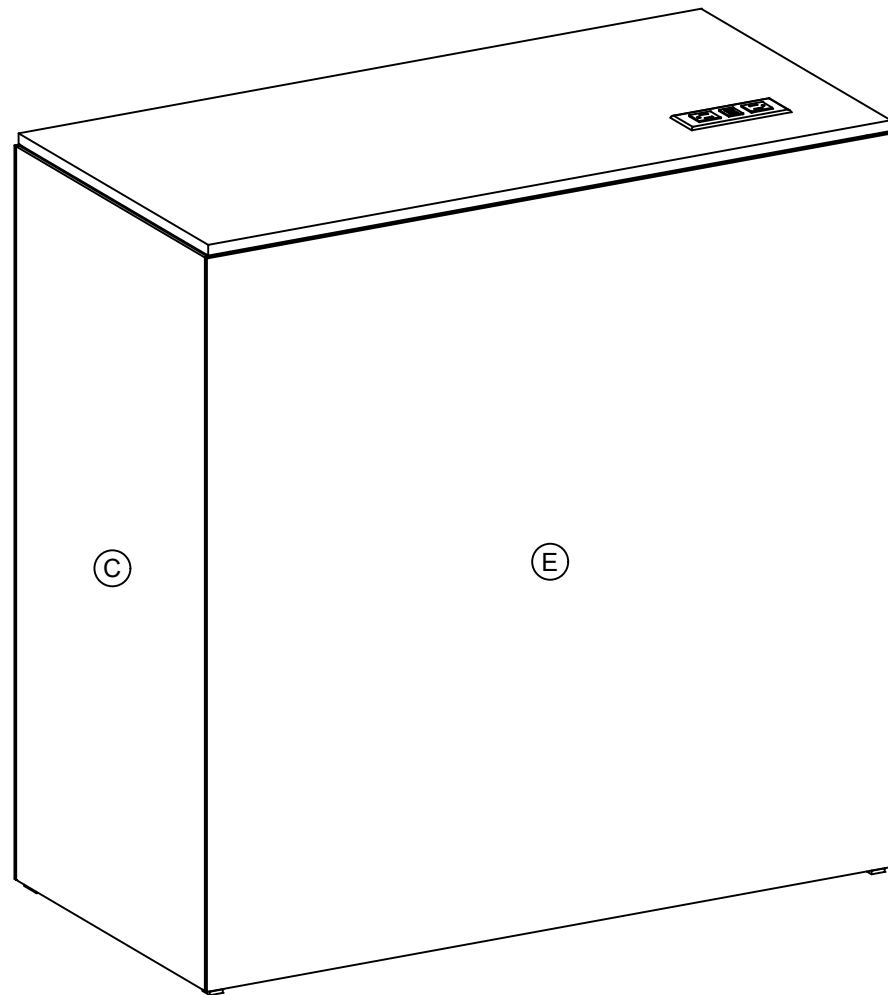
SPECIFICATIONS:

OVERALL: 39-1/16"W X 19-1/2"D X 39-13/16"H
992mm x 495mm x 1011mm

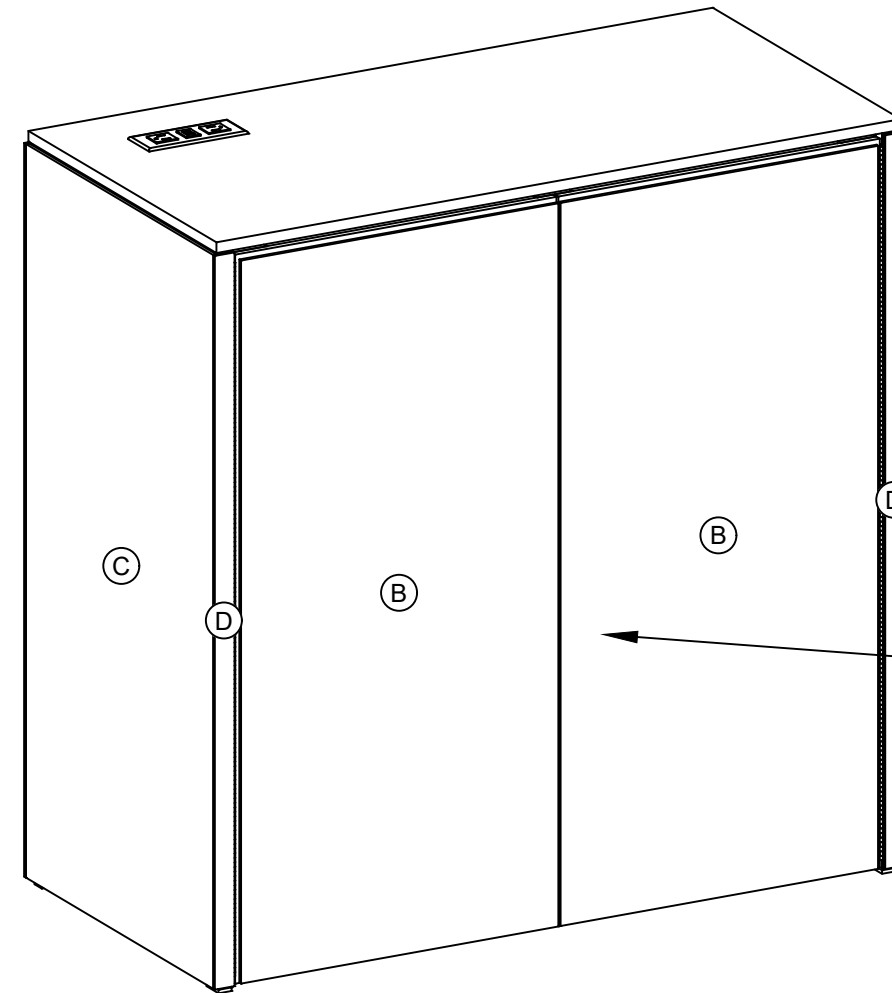
COLOR: FORMICA - ACC PERFECT WHITE
WHITE - POWDER COATED PAINT

MATERIALS:

- HP-LAMINATE PB-1/2" TOP PANEL
- MELAMINE MDF-5/8" BODY PANELS
- 2MM EDGE TAPE ON TOP
- PIANO HINGE 1-1/2"
- INNER METAL FRAME
- USB PLUG



3D VIEW - FRONT

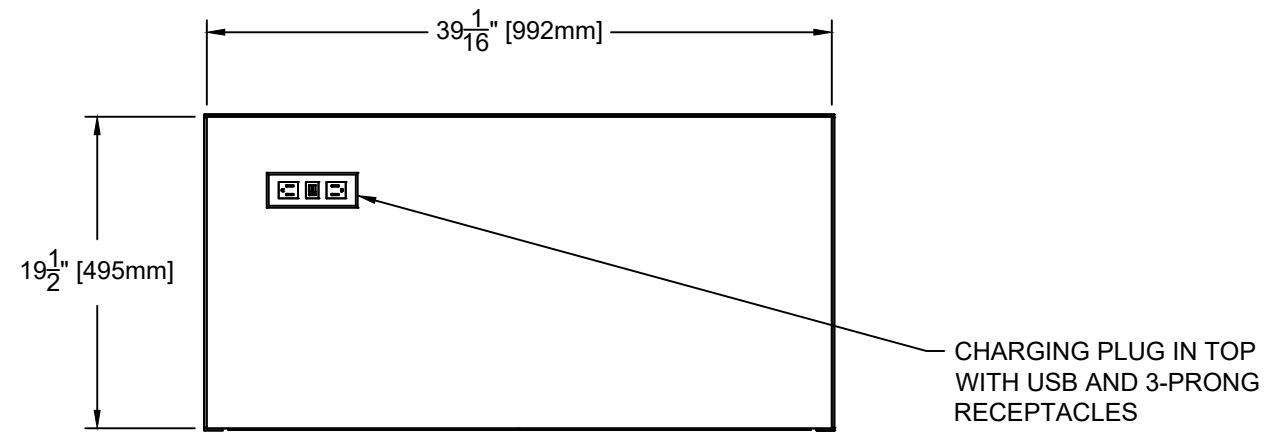


3D VIEW - BACK

Locks
needed for
doors

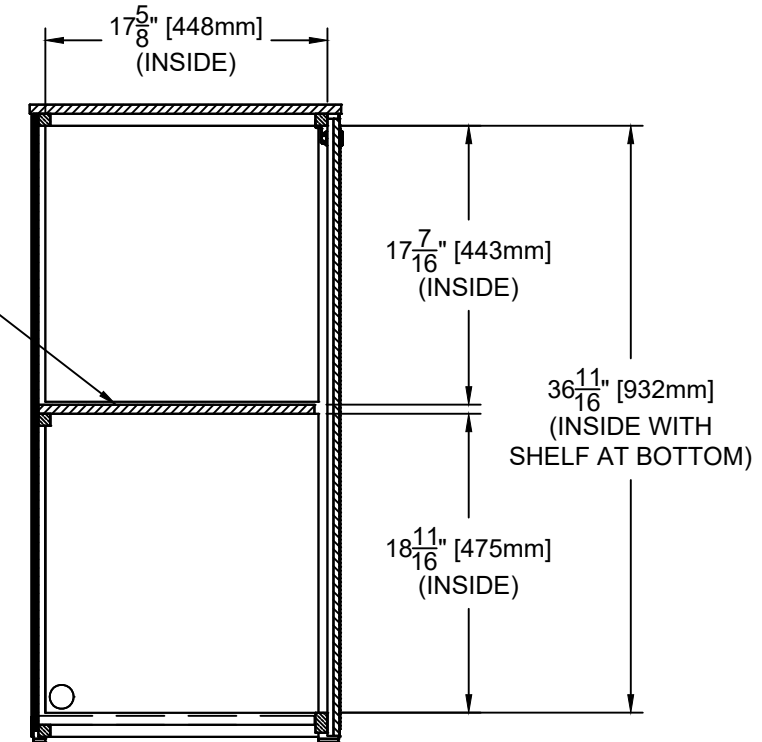
PULL LIST FOR 1 UNIT (x6)

| I.D. | Qty | Type | Size | Area (SqFt) | Part Number | Description | Material | Color | Notes |
|------|-----|-----------------------|--------------------------------|-------------|-------------|-----------------------------------|----------|---------|------------|
| A | 1 | Graphic Panel | 37-1/16" x 38-9/16" | 9.93 | 18 98 1003 | Panel | PVC 3MM | White | 18 98 1003 |
| B | 2 | Overlay Graphic Panel | 18-1/8" x 38-1/4" | | 10566 | Overlay Door Graphic Panel | 3mm PVC | Graphic | |
| C | 2 | Overlay Graphic Panel | 19-3/8" x 38-13/16" | | 10566 | Overlay Graphic Panel | 3mm PVC | Graphic | |
| D | 2 | Overlay Graphic Panel | 1-1/8" x 38-13/16" | | 10566 | Overlay Panel | 3mm PVC | Graphic | |
| E | 1 | Overlay Graphic Panel | 39-3/8" x 38-13/16" | | 10566 | Overlay Back Panel | 3mm PVC | Graphic | |
| | 1 | FLEX Furniture | 39-1/16" x 19-1/2" x 39-13/16" | | 18 98 1003 | FLEX M2 CABINET - 1M CHARGING TOP | Laminate | White | 18 98 1003 |

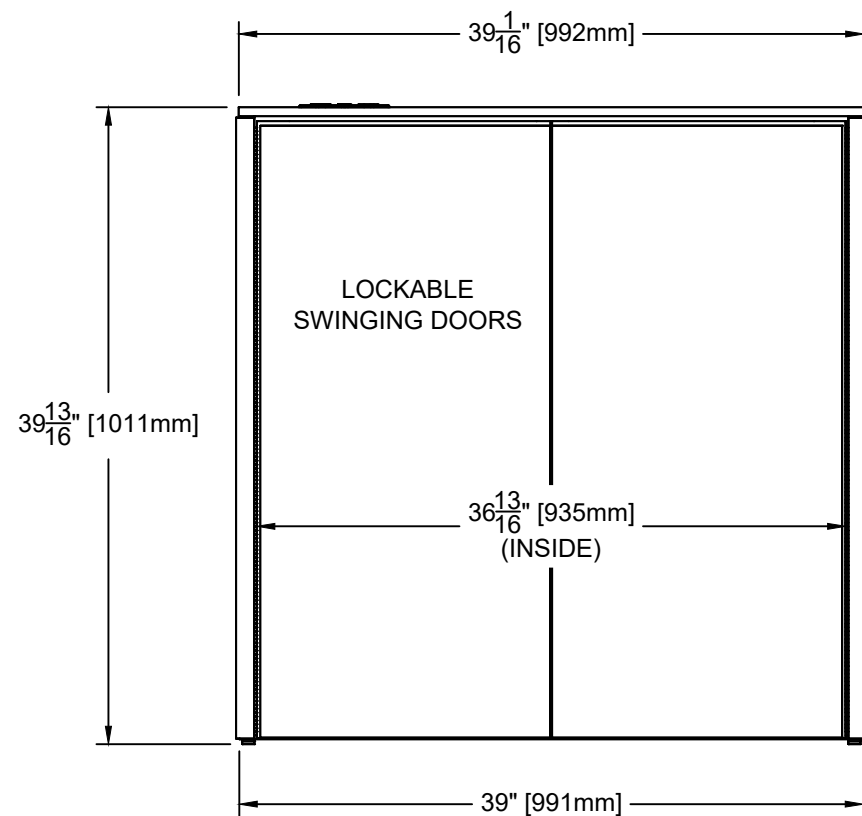


TOP VIEW

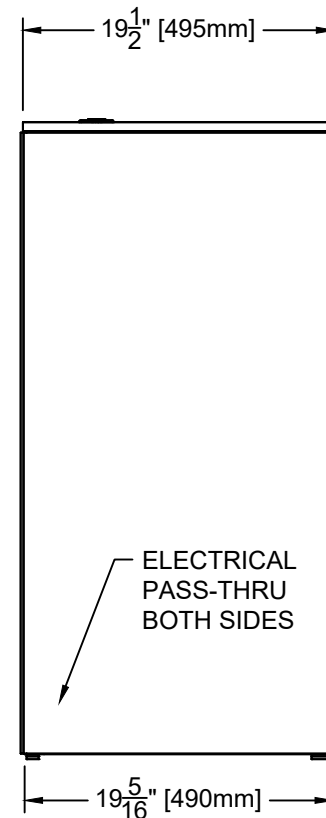
SHELF CAN BE MOVED TO BOTTOM OF CABINET



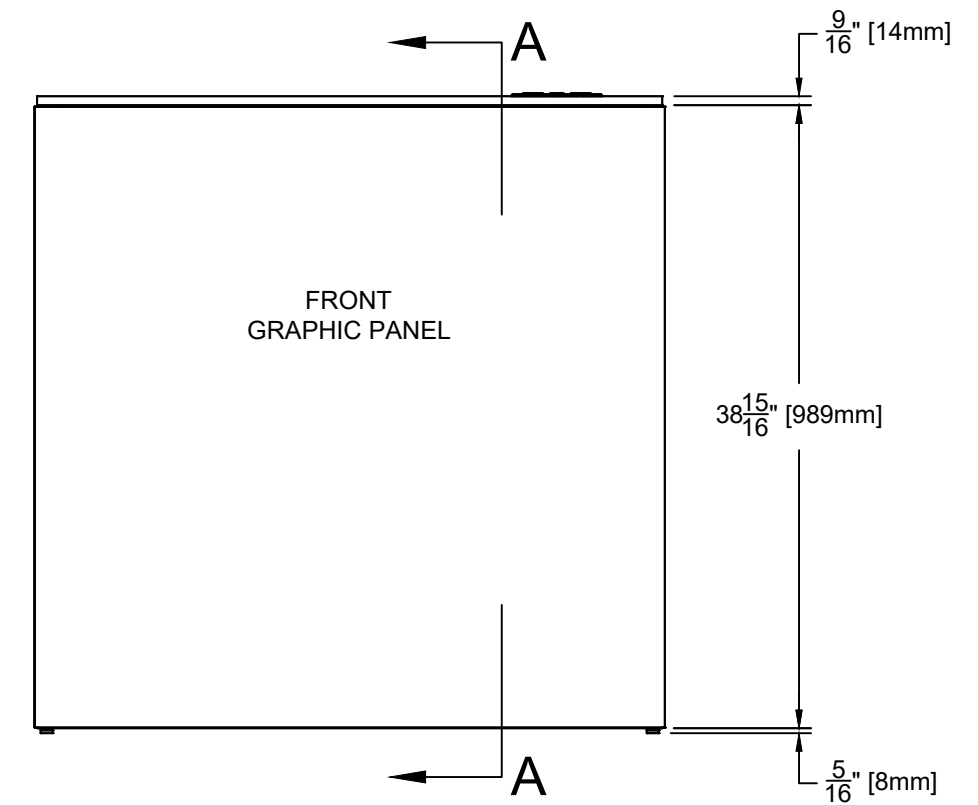
SECTION A-A



BACK VIEW



SIDE VIEW



FRONT VIEW